

Quick Guide for the V-Tap Analog 2



The V-Tap Analog 2 is a device that can record the audio from an analog telephone line or any telephone that works with a handset. Additionally, there is a 3.5 mm stereo input jack that enables recording from other audio sources, such as microphones or radio's. The recorded calls are stored onto an SD card and can optionally be sent to an external server, which can be a [Call Recorder Apresa](#) or the [V-Archive software](#) running on a PC.

NOTE1: The USB power supply needs to deliver 500 mA current, else the system does not start.

NOTE2: When no analog line is connected or when no SD card is inserted, the Red LED starts flashing on first power on with default settings, to indicate an error situation.

NOTE3: The SD card must be formatted with the FAT32 file system. Cards above 32 GB (up to 2 TB) are not tested and must be formatted as FAT32 first, before inserting them into the V-Tap.

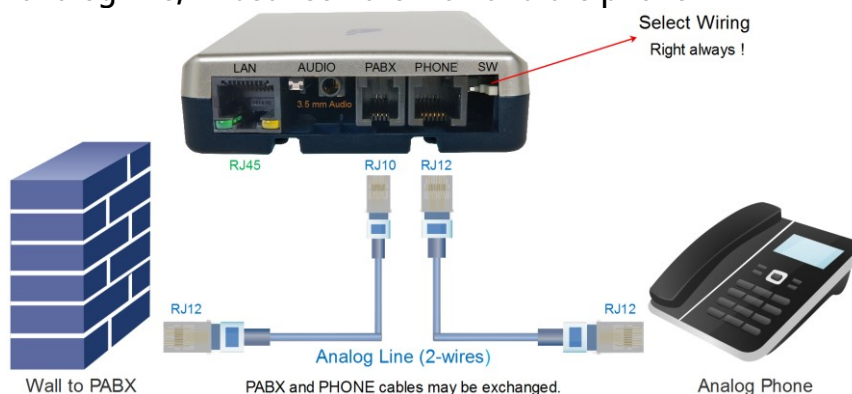
BOX CONTENT & DOWNLOADS

- V-Tap Analog 2 unit
- USB adapter
- USB cable
- Telephone / Handset cable
- SD card
- 1 year Support & Update license
- This Quick Guide
- Manual: <https://www.vidicode.com/download/v-tap-analog-2-manual-en/>
- V-Archive PC software: <https://www.vidicode.com/download/v-archive/>

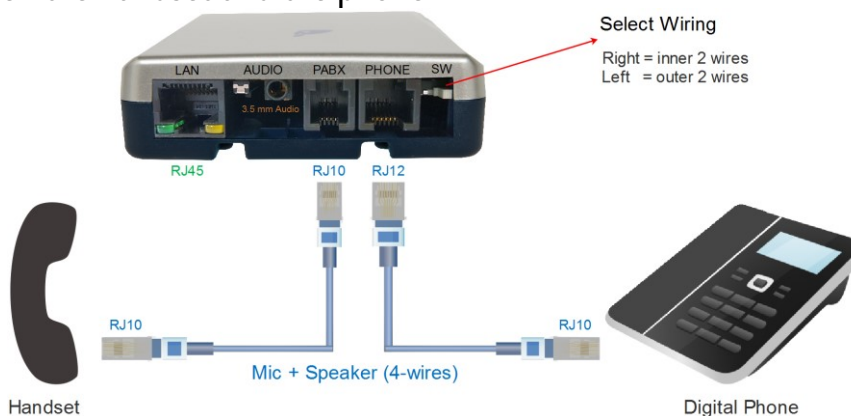
Quick Guide for the V-Tap Analog 2

HARDWARE INSTALLATION – TWO WAY'S TO CONNECT A TELEPHONE

1. On an analog line, in between the wall and the phone:



2. In between the handset and the phone:



NOTE1: USB must be connected for power supply and must deliver **500 mA**.

NOTE2: An SD card must be inserted to store the recordings on (FAT32 formatted).

SETUP THROUGH THE WEB INTERFACE

- Using a LAN cable to access the web interface (2 methods):

- 1) Start a browser and enter in the address line <http://vtapXXXX.local>
In which **XXXX** are the last 4 digits of the MAC, found on the bottom of the box:

```
010.02500 V-Tap
MAC:00034901019E
SN: 500464
```

For this V-Tap, enter <http://vtap019e.local>

- 2) Or enter an IP address on the first line of the text file "IP", put "IP.TXT" onto an SD card and insert the card into the V-Tap. Then enter this IP address in a browser.

- Using Wi-Fi to access the web interface:

- Wi-Fi must be enabled first, if not already by default. Power off and remove the SD card. Hold the button pressed during power on and keep pressed for about 12 seconds until only the Blue LED is on. Release the button, Wi-Fi is temporary available now until the next reboot.
- Search on your mobile phone or laptop for the name "V-Tap...", connect to it and use the 12 digits MAC address as the Wi-Fi password, found on the bottom of the box. Disable mobile data on your phone (else the IP address is not found), open a browser and enter the IP address 192.168.55.66.

Login with username **admin** and password **admin**. See also the [V-Tap Analog 2 manual](#).

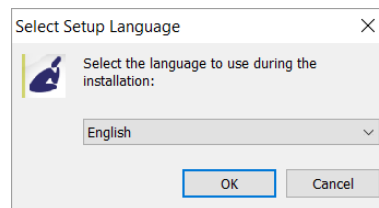
Quick Guide for the V-Tap Analog 2

PC REQUIREMENTS FOR THE V-ARCHIVE SOFTWARE

Windows Vista/7/8/10 , Intel Pentium >2GHz , 4GByte RAM , >100 MB free disk space.

V-ARCHIVE SOFTWARE INSTALLATION

- In the case that no CD is supplied, you can download V-Archive from here:
www.vidicode.com/download/v-archive/
- With a CD, place it in your computer and the software installation starts automatically. If it does not start, locate the file 'VArchiveInstall.exe' on the CD and start it manually. The following window appears:

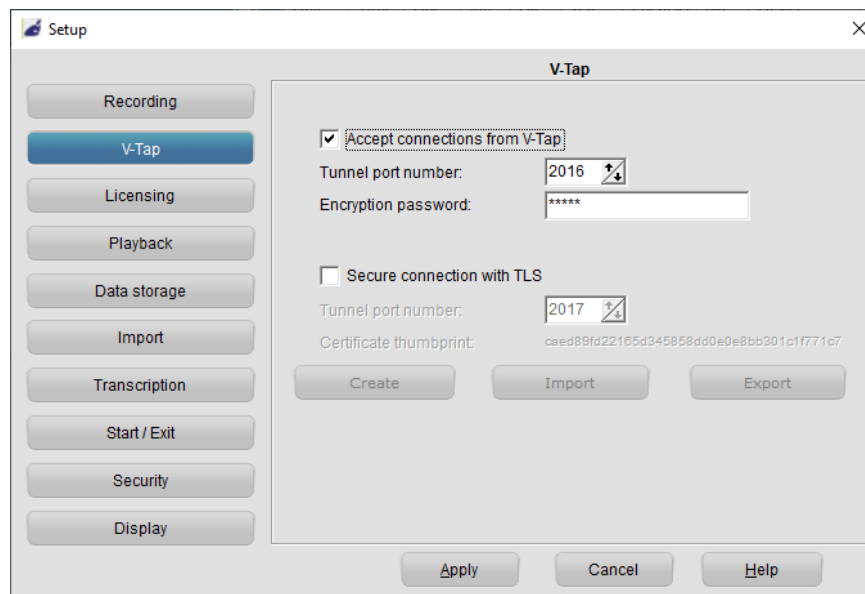


Select your preferred language for the installation and press OK.

The menu will ask for an installation key, please enter: **V-TAP**

Now you can proceed with the next steps of the installation and you will be asked to confirm the locations on your hard drive where to store the software and the data files.

- To setup V-Archive to receive data from the V-Tap, go to Options, Setup, Recording tab, and enable V-Tap connections:



NOTE1: The PC's IP address must be entered as the "Tunnel Server Address" in the V-Tap.

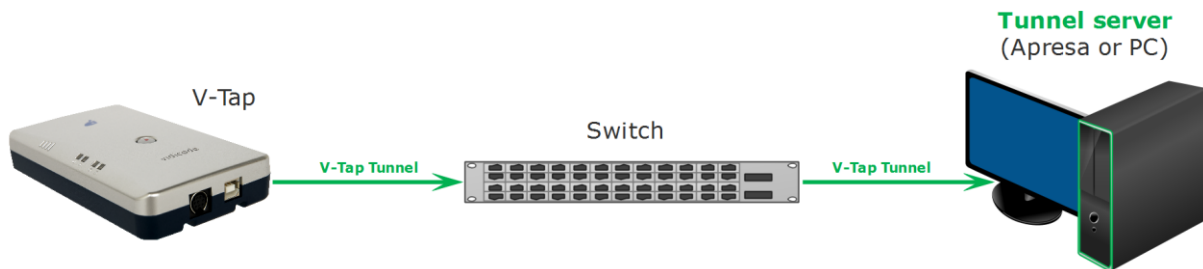
NOTE2: The PC's firewall must be open for these TCP ports. The installer will try to do this automatically.

NOTE3: The Encryption password must be the same as the "Encryption Password" in the V-Tap.

NOTE4: The V-Archive software itself does not need any license to receive from the V-Tap.

Quick Guide for the V-Tap Analog 2

CHECKLIST FOR TUNNEL CONNECTION



A connection between the V-Tap and the V-Archive PC software (or Apresa recorder) is needed to get the recorded data automatically into a user accessible database.

The following checklist can be used to setup this Tunnel connection:

- 1) Install the Hardware (see page 2).
- 2) Install the V-Archive software on a PC and enable V-Tap connections (see page 3).
- 3) Open the Settings page of the V-Tap in a browser by entering <http://vtapXXXX.local>
XXXX are the last 4 digits of the MAC address, found on the bottom (see page 2).
It may take up to a minute after first connect, before this local name is known to the PC.
- 4) The "Tunnel Server Address" must be filled in with the IP address or name of the PC.
- 5) Any **firewall** must be open for TCP port **2016**, the default "Tunnel Destination Port".
If secure connection with TLS is used for the Tunnel, then also TCP port **2017** must be open.
During installation of V-Archive these ports are automatically opened, if permitted by the PC.
- 6) The Tunnel connection to the PC is stable when the **GREEN LED is steady**, not blinking!
Also, the V-Tap must be shown with its MAC address in the status line of V-Archive.
- 7) For first tests, better turn off "Tunnel Data Encryption".
Otherwise, be sure that the Encryption password is the same for both V-Tap and V-Archive.
- 8) When data is stored by the V-Tap during a call, the **BLUE LED blinks**.
- 9) To see if the PC receives something from the V-Tap, it is possible to make a network trace for test purposes. In V-Archive go to menu Actions and select 'Network trace', press Start, make a short call, wait 10 seconds, press Stop and then Save.
From the zip file 'tunneltrace.pcap' can be analyzed with Wireshark.
- 10) The SD card in the V-Tap should contain ".WAV" files.
The SD card can be read by V-Archive in menu File and 'Import from V-Tap'.